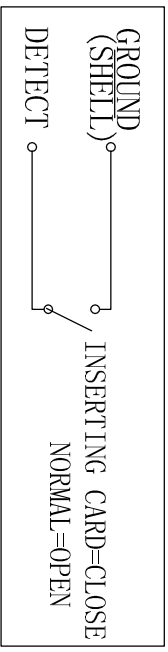
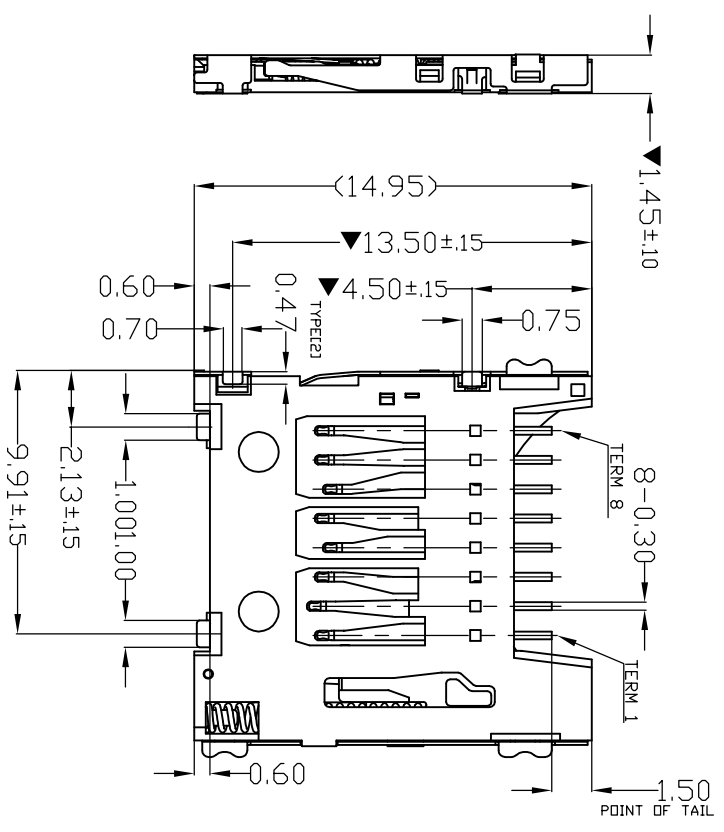
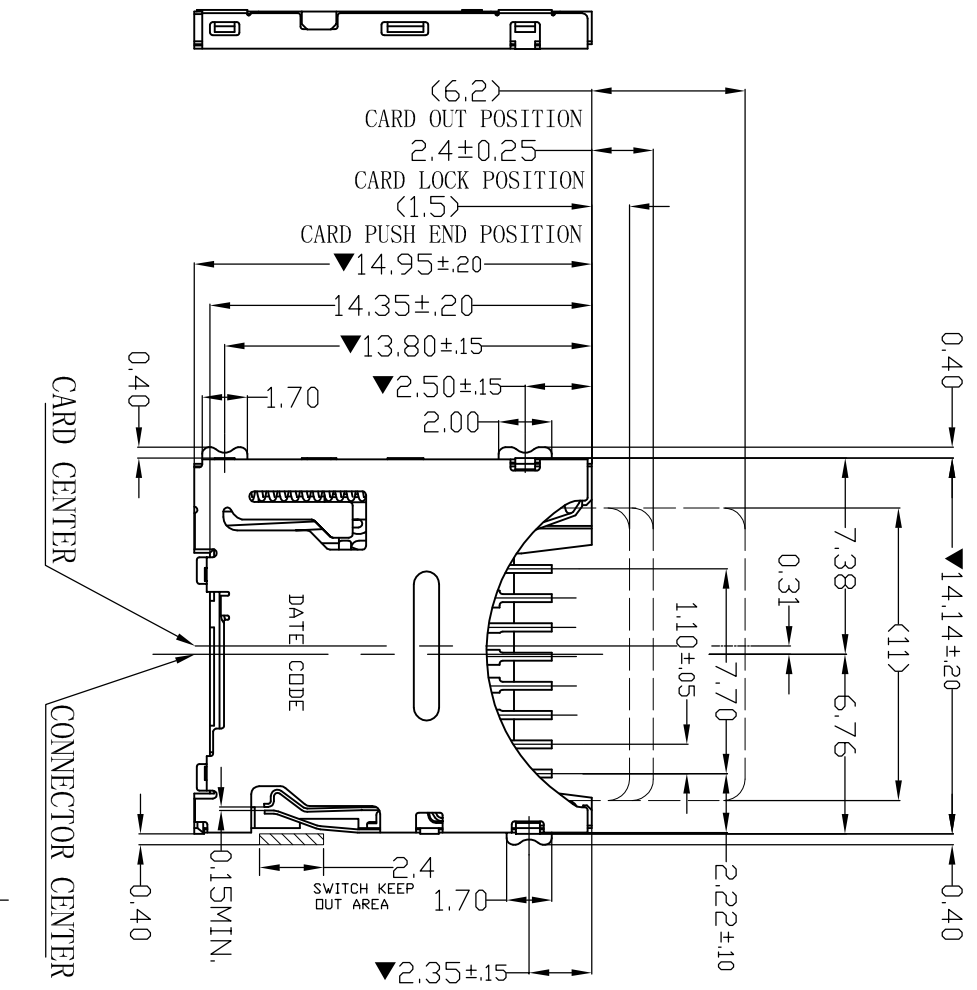


REV.	EGN.NO.	MODIFY CONTENT	DATE
A		NEW	2013/06/12

TERM 1	DATA 2
TERM 2	CD/DATA 3
TERM 3	CMD
TERM 4	VDD
TERM 5	CLK
TERM 6	VSS
TERM 7	DATA 0
TERM 8	DATA 1

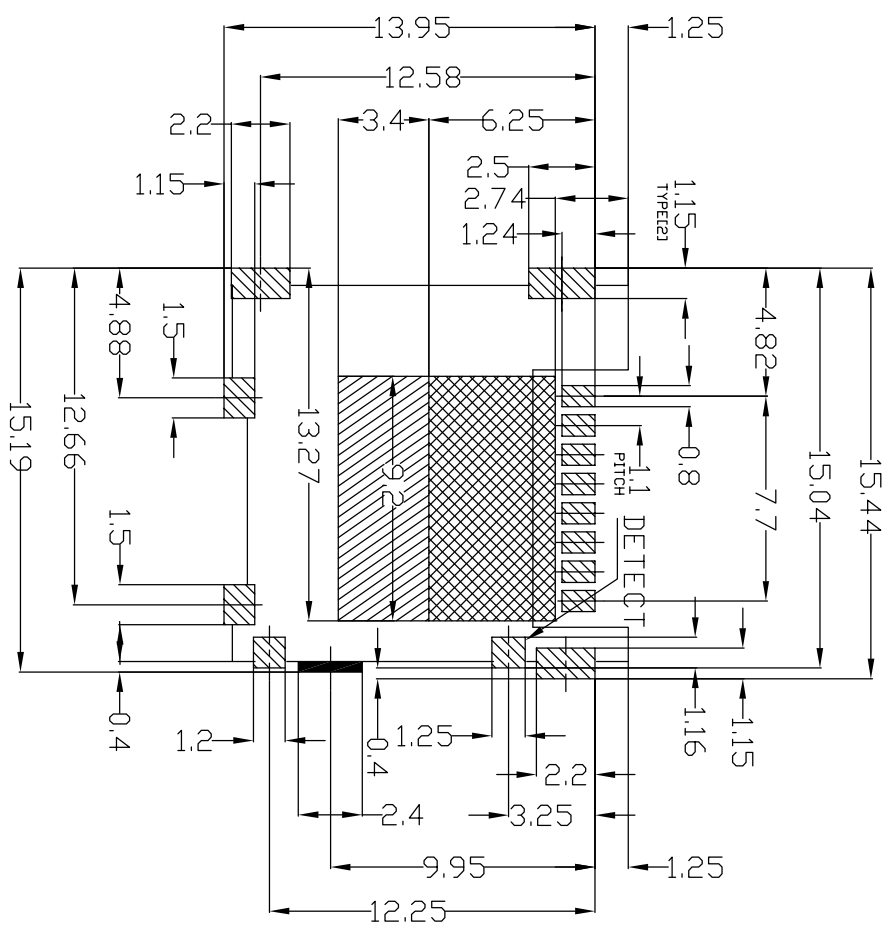
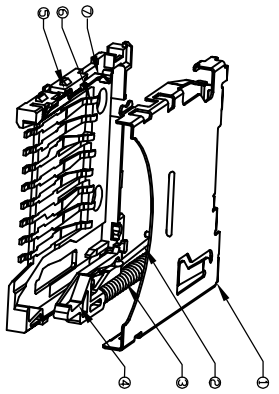


1.15
SWITCH KEEP
OUT AREA

GENERAL TOLERANCE	图号	设计	审核	比例
X±0.20	JYS0913-001	朱全		1:1
X±0.15				
.XX±0.08				
.XXX±0.05				
X:±.5	品名	密校	单位	mm
X:±.2	midro sd push (H=1.45) B TYPE	核准	视角	
.XX±.1	料号	日期	版本	AO
.xxx±0.5	JYS-TF145-018	2013/06/12		

JYS
深圳市杰宇森电子有限公司
Shenzhen JiaYusen electronic co., LTD.

REV.	EGN.NO.	MODIFY CONTENT	DATE
A		NEW	2013/06/12



RECOMMENDED
PCB PATTERN LAYOUT (TOP VIEW)
TOLERANCE: ±0.05

- PROHIBITED AREA
- SOLDERPROHIBITED AREA
- PATTERN PROHIBITED AREA

- NOTES:
1. COPLANARITY SPEC. FOR ALL SOLDER TAILS AND SOLDER PADS IS 0.1mm MAX.
 2. ELECTRICAL CHARACTERISTICS:
 - 2-1. CURRENT RATING: 0.5 Amp. MAX.
 - 2-2. VOLTAGE: 100V DC. MAX.
 - 2-3. LOW LEVEL CONTACT RESISTANCE: 100 mohms MAX. INITIALLY.
 - 2-4. DIELECTRIC WITHSTANDING VOLTAGE: 500V AC MIN. FOR 1 MINUTE.
 - 2-5. INSULATION RESISTANCE: (INITIAL) 1000Mohms MIN., (FINAL) 1000Mohms MIN.
 - BY APPLYING 500V DC ON MATED AND UNMATED CONNECTORS THROUGH MTL-STD-202, METHOD 302.
 3. MECHANICAL CHARACTERISTICS:
 - 3-1. DURABILITY: 5000 CYCLES.
 - 3-2. OPERATING TEMP. RANGE: -25° C TO 85° C. [INCLUDING TERMINAL TEMP. RISE]
 - 3-3. STORAGE TEMP.: -40° C TO 85° C.
 4. QUANTITY OF PRODUCTS: 1400PCS/REEL.
 5. PLEASE CONTACT Baojunjie SALES REPRESENTATIVE TO VERIFY PRODUCT DETAILS.

7	DETECT	1	COPPER ALLOY	GOLD PLATING
6	TERMINAL	1	COPPER ALLOY	GOLD PLATING
5	HOUSING	1	THERMAL PLASTIC	
4	SLIDER	1	THERMAL PLASTIC	
3	SPRING	1	SUS	
2	CAM FOLLOWER	1	SUS	
1	SHELL	1	SUS	Ni PLATING
NO.	PART NAME	Q'TY	DESCRIPTION	

GENERAL TOLERANCE		图号	JYS0913-001	设计	朱全	比例	1:1
X±0.20	X:±0.5	品名	midro sd push (H=1.45) B TYPE	审核		单位	mm
X±0.15	X:±2	料号	JYS-TF145-018	核准		视角	
.XX±0.08	.XX±1	日期	2013/06/12	版本		AO	
.XXX±0.05	.xxx±0.5	页 数	2/2				

JYSOEM 深圳市杰宇森电子有限公司
Shenzhen Jiyusen electronic co., LTD.