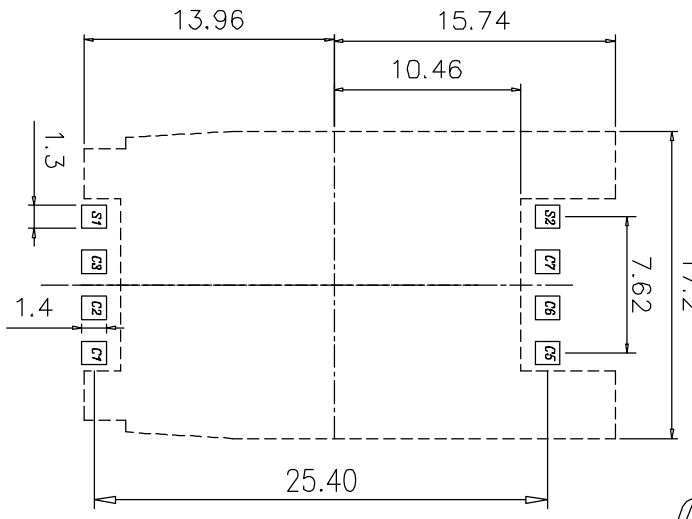
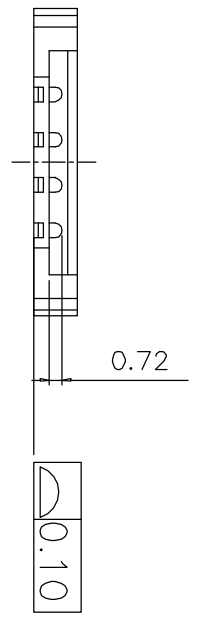
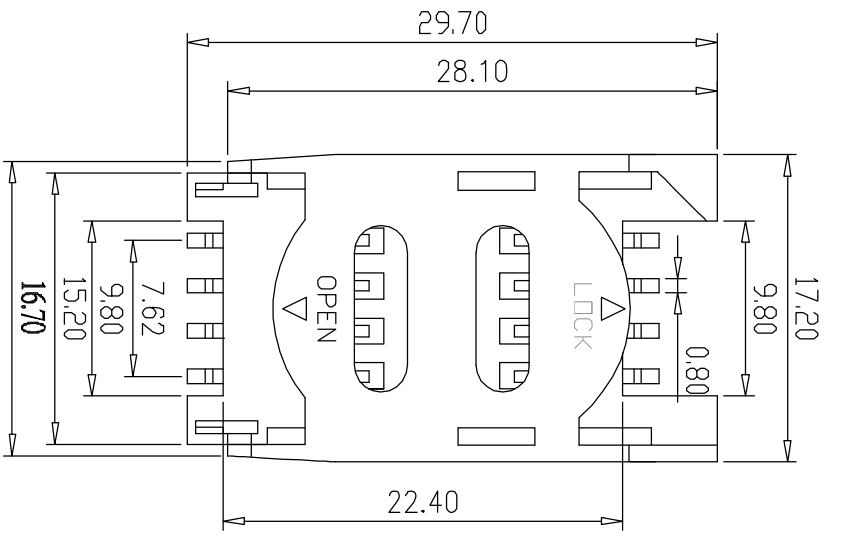
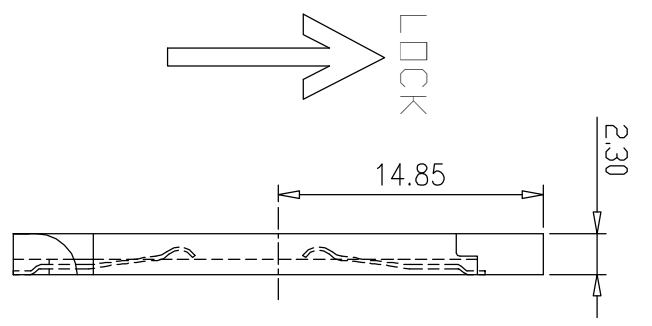
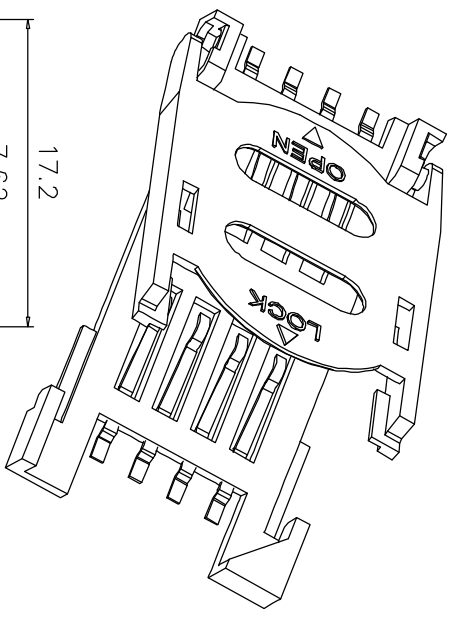


REV.	EGN.NO.	MODIFY CONTENT	DATE
A		NEW	2011/10/31



Notes:
 Material: Phosphor Bronze(C5191-H)
 SIMM Card Connector, With
 Cover, Type 1, 8 Pin
 Physical:
 Housing: LCP(NY 9T) UL 94V-0
 Contact: Selective Gold Flash
 Specifications:
 Voltage Current rating: 1A, 50V AC
 Insulation Resistance: 1000Mohm Min
 Contact Withstanding Voltage:
 AC 500V For 1 Minute
 Temperature Rating: -40° To +85°

PCB LAYOUT RECOMMENDED

GENERAL TOLERANCE		DWG NO.	JYSA1012-001	APPD:	WMD	Scale	1:1
X±0.45	X:±5°	Title	SIM CARD 8PIN 全塑(无柱)	CHKD:		UNIT	mm
X±0.35	X:±2°	Part NO.	JYS-SIM230-097	DR:			
XX±0.25	.XX'±1°	Date	2011/10/31				
.XXX±0.15	.xxx'±0.5°						
SHEET 1/1							

 杰宇森电子有限公司
 JIE YU SEN ELECTRONIC CO., LTD.