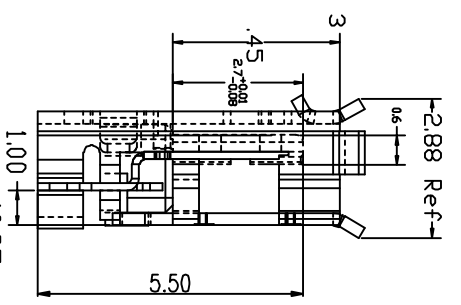


REV.	ECN NO.	MODIFY CONTENT	DATE
A		NEW	2013/3/29



规格说明 Specifications:
电气特性 Electrical:

- 额定电流: Current Rating 1.8A/contact terminal
- 额定电压: Voltage Rating 30V DC
- 接触电阻: Contact Resistance 50 milliohms MAX
- 耐电压: Dielectric Withstanding Voltage: 300 V AC AT Sea Level
- 绝缘电阻: Insulation Resistance: 100MEGA ohms MIN

物理性能 Mechanical:

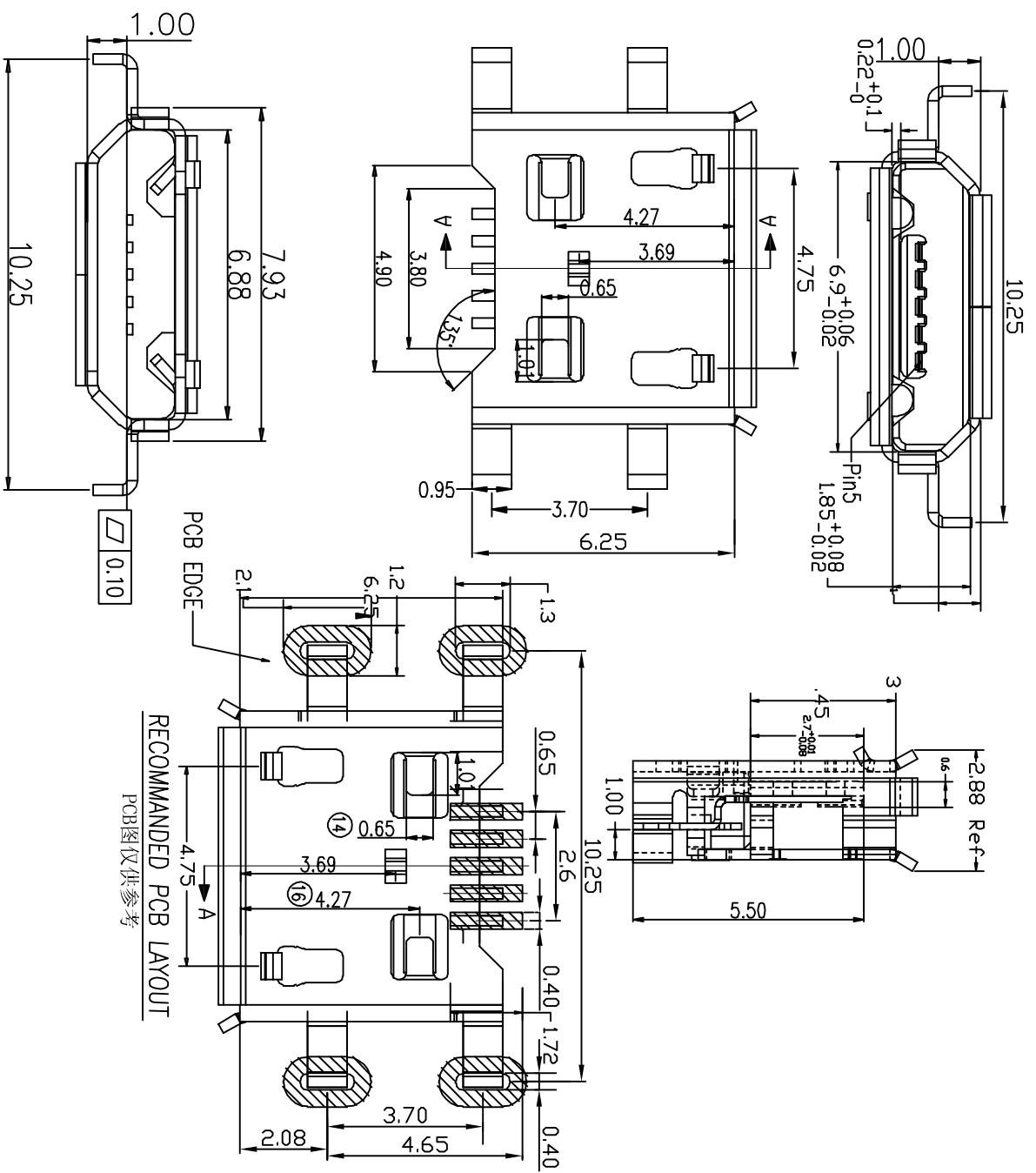
- 插拔力: Connector Mate and Unmate Force
Mate force: 3.0kgf(MAX)
Unmate force: 0.7kgf(MIN)
- 机械寿命: 5000*

原材料 Material:

- 塑胶 Housing: Hing Temperature Thermoplastics
UL 94V-0 LCP Black
- 端子 铜镍 C5191 EH
- 壳壳 Shell: H65 EH

电镀 Finish:

- 端子 Contact: Plated Gold in Mating Area,
Tin Dn Solder Talls
- 壳壳 Shell: Nickel Plating (镀镍并自锁止)



RECOMMENDED PCB LAYOUT
PCB图仅供参考

GENERAL TOLERANCE		DWG NO.	JYS40508-001	APPD:	WWD	Scale	1:1
X±0.45	X±.5*	Title	MICRO usb 5P母座 (沉板 1.0H, 卷边, 四脚插板)	CHKD:		UNIT	mm
X±0.35	X±.2*	Part NO.	JYS-USB100-015	Date	2013/03/29		
.XX±0.25	.XX±.1*						
.XXX±0.15	.xxx±0.5*						
SHEET	1/1	杰宇森电子有限公司 JIE YU SEN ELECTRONIC CO., LTD.					