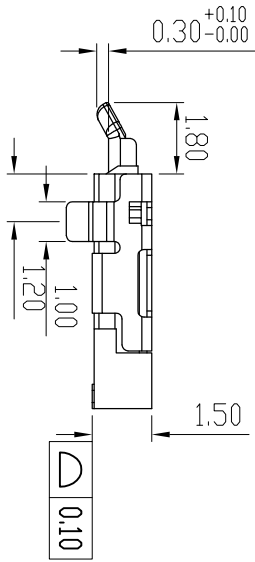
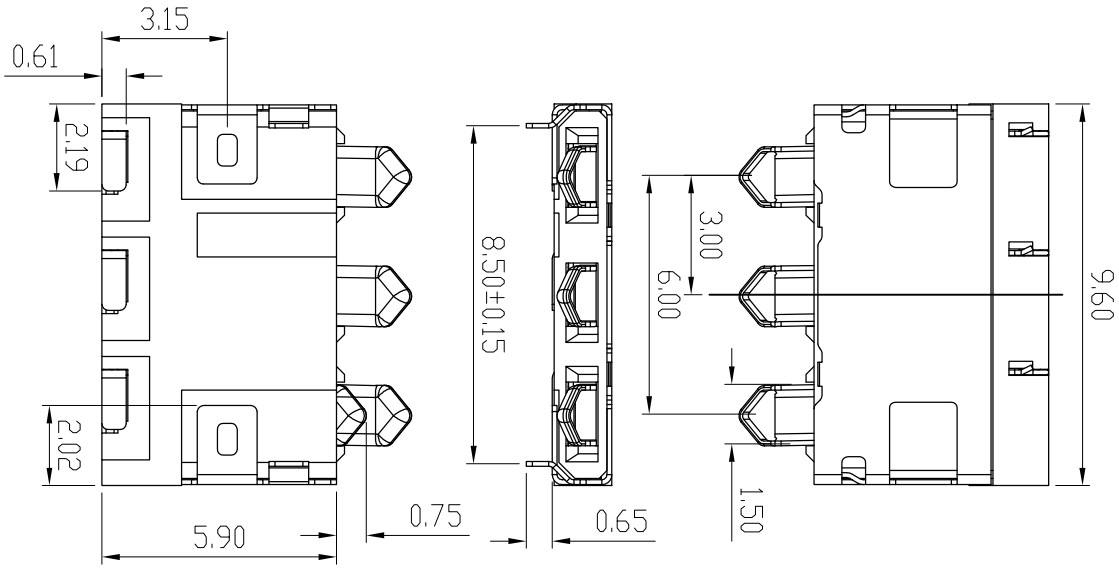
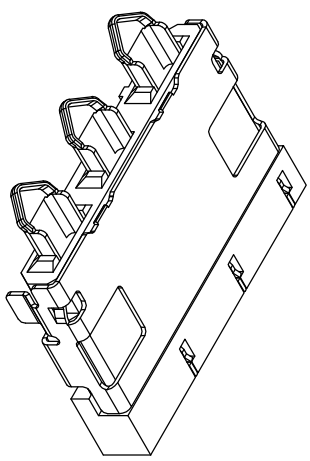
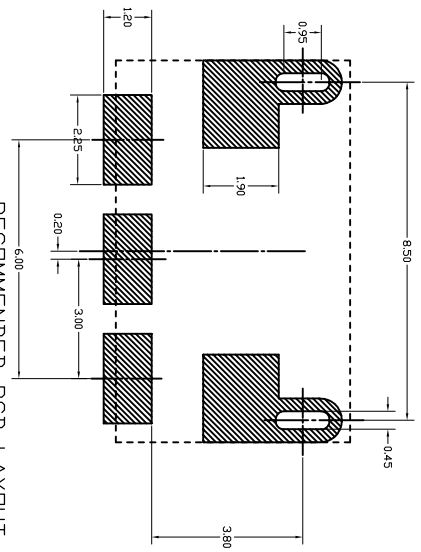


REV.	ECN NO.	MODIFY CONTENT	DATE
A		NEW	2011/10/31



1. MATERIAL:
- 1.1 Housing: HI-TEMP Plastic; UL94V-0, black;
  - 1.2 Terminal: Coppy alloy, T=0.12mm
  - 1.3 Latch: Stainless steel T=0.12mm
2. FINISH:
- 2.1 Terminal: Plated Au on contact area, matte tin on the solder tails underplated nickel over all.
  - 2.2 Latch: 120μ" Min matte tin over nickel,
3. Electrical Performance:
- 3.1 Contact Resistance: 50m Ω Max;
  - 3.2 Dielectric Withstanding Voltage: 350V AC rms for 1 minut;
  - 3.3 Insulation Resistance: 1000 M Ω Min;
4. Mechanical Performance:
- 4.1 Durability: 5000 cycles;
  - 4.2 Normal force: 60gf Min;



RECOMMENDED PCB LAYOUT  
TOL:(±0.05)  
Recommend PCB Layout  
Tolerance: ±0.05

GENERAL TOLERANCE		DWG NO.	APPD:	WMD	Scale
X.±0.45	X.±5°	JVSA1126-02			1:1
X±0.35	X.±2°	BATTERY 3PIN 3.0PITCH 1.5H 瑞宇电子	CHKD:		UNIT
XX±0.25	.X'±1°		DR:		mm
.XXX±0.15	.xxx'±0.5'	Part NO.	Date		
SHEET 1/1		JYS-BY150-161	2012/02/29		

**杰宇森电子有限公司**  
**JIE YU SEN ELECTRONIC CO., LTD.**