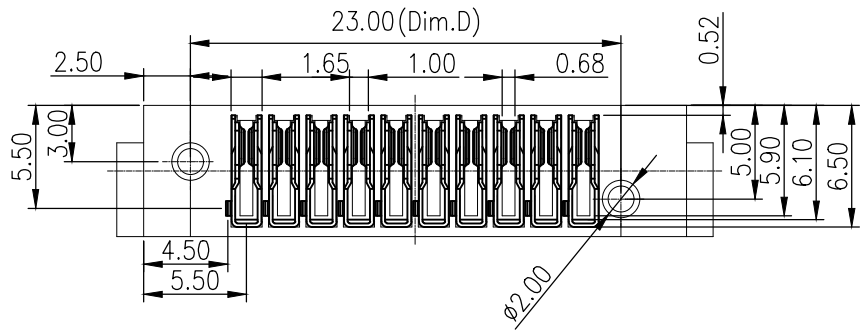
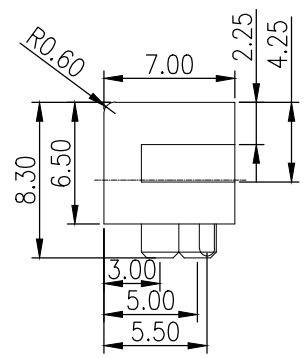
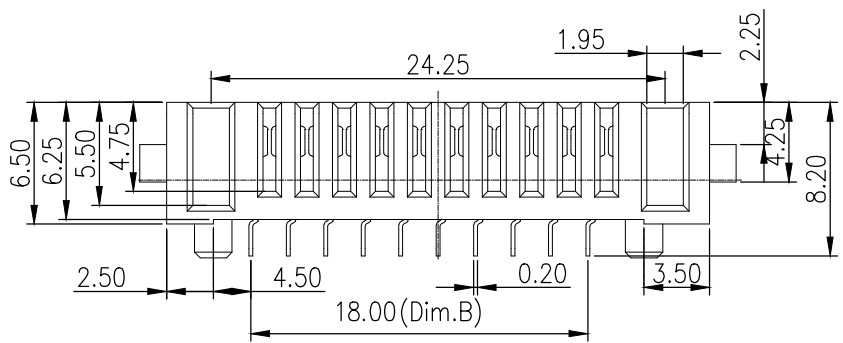
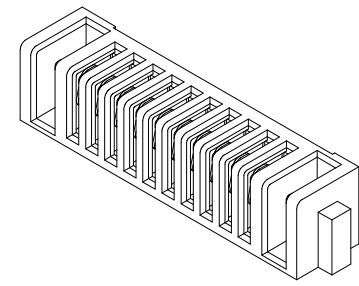
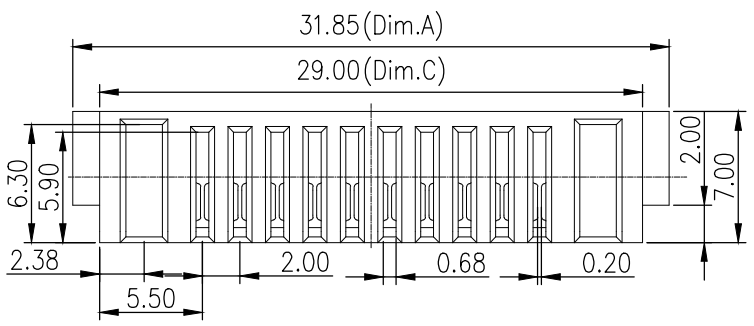
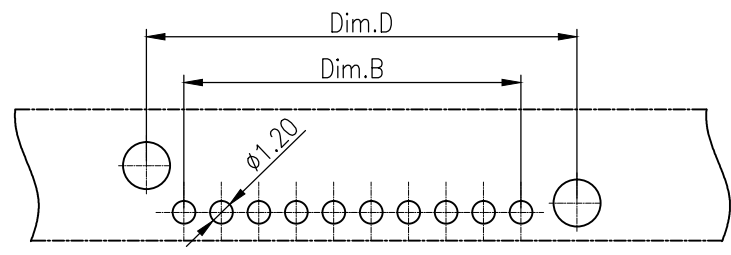


REV.	ECN.NO.	MODIFY.CONTENT	DATE
A		NEW	2019/10/31



No. of Pins	Dimension			
	DIM.A	DIM.B	DIM.C	DIM.D
03	17.85	4.00	15.00	9.00
04	19.85	6.00	17.00	11.00
05	21.85	8.00	19.00	13.00
06	23.85	10.00	21.00	15.00
07	25.85	12.00	23.00	17.00
08	27.85	14.00	25.00	19.00
09	29.85	16.00	27.00	21.00
10	31.85	18.00	29.00	23.00
11	33.85	20.00	31.00	25.00
12	35.85	22.00	33.00	27.00

Material
 Insulator : Nylon 9T (UL94V-0)
 Contact : Phosphor Bronze
 Contact Plated : Gold over Nickel or Tin
 Specification
 Current Rating : 5A
 Instant Current : 7A
 Contact Resistance : 30mΩ
 Insulation Resistance : 100MΩ
 Dielectric Voltage : 500V
 Operating Temperature : -40°~105°



Recommended P.C.B Layout

GENERAL TOLERANCE		DWG NO.	JYSA1014-03	APPD:	WIND	Scale	1:1
X.±0.45	x.'±5'	Title	BATTERY FEMALE 2.0PITCH BOARD TO BOARD CONNECTOR	CHKD:		UNIT	mm
.X±0.35	.x'±2'			DR:			
.XX±0.25	.xx'±1'	Part NO.	JYS-BY650-2XX	Date	2019/10/31		
.XXX±0.15	.xxx'±0.5'						
SHEET	1/1					Shenzhen JYSCONN Electronics Co., LTD.	