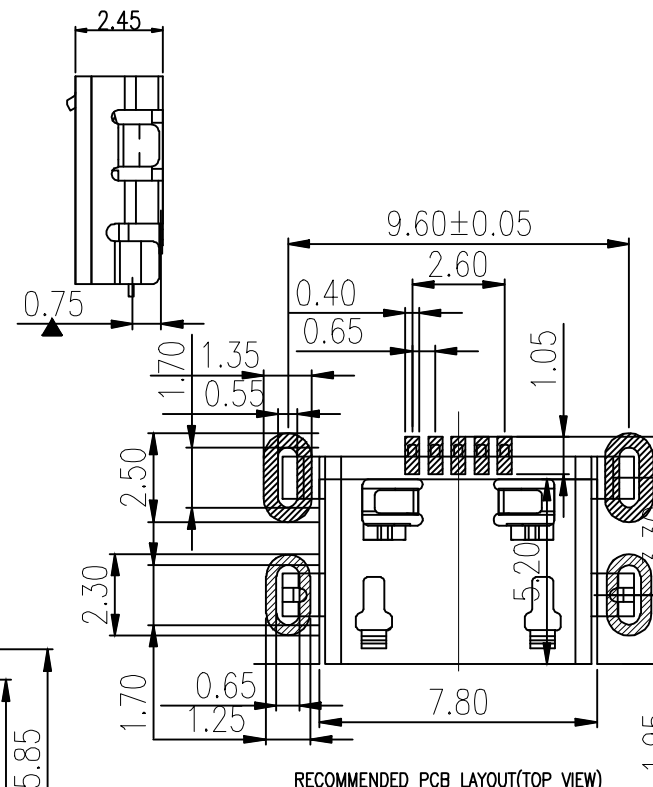
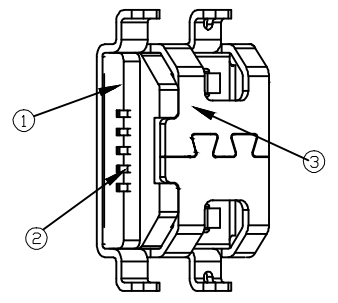
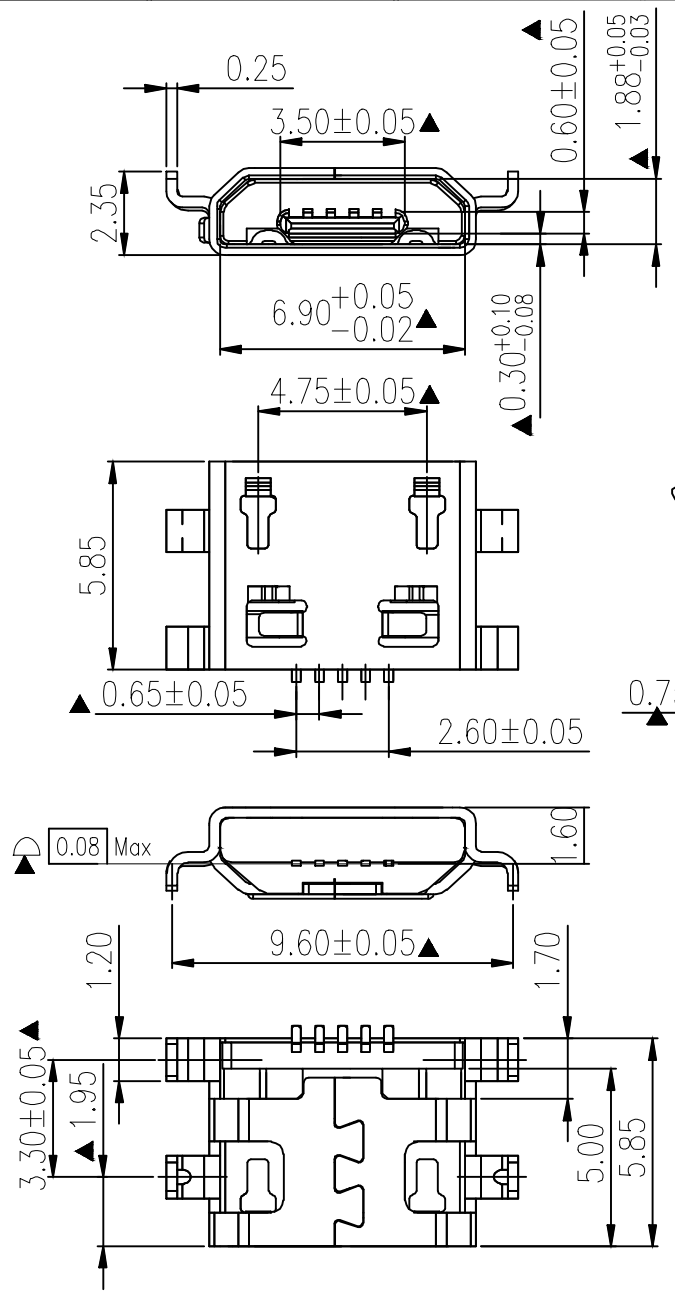


REV.	ECN.NO.	MODIFY.CONTENT	DATE
A		NEW	2013/3/29



RECOMMENDED PCB LAYOUT(TOP VIEW)
GENERAL TOLERANCES:±0.05

规格说明 Specifications:

电气特性 Electrical:

1. 额定电流: Current Rating
1.8A/contact terminal
2. 额定电压: Voltage Rating
30V DC
3. 接触电阻: Contact Resistance
50 milliohms MAX
4. 耐电压: Dielectric Withstanding Voltage:
300 V AC AT Sea Level
5. 绝缘电阻: Insulation Resistance:
100MEGA ohms MIN

物理性能 Mechanical:

1. 插拔力: Connector Mate and Unmate Force
Mate force:3.0kgf(MAX)
Unmate force:0.7kgf(MIN)
2. 机械寿命: 5000次

原材料 Material:

1. 塑胶 Housing:
High Temperature Thermoplastics
UL 94V-0 LCP Black
2. 端子: 磷铜 C5191 EH
3. 外壳 Shell: H65 EH

电镀 Finish:

1. 端子 Contact: Plated Gold in Mating Area;
Tin On Solder Tails
2. 外壳 Shell:
Nickel Plating (能过炉自动上锡)

GENERAL TOLERANCE		DWG NO.	JYSA0508-001	APPD:	WIND	Scale	1:1
X.±0.45	x.'±5'	Title	MICRO USB 5PIN 沉板0.8mm 4DIP 直边	CHKD:		UNIT	mm
.X±0.35	.x'±2'			DR:			
.XX±0.25	.xx'±1'	Part NO.	JYS-USB080-014	Date	2013/03/29		
.XXX±0.15	.xxx'±0.5'						
SHEET	1/1					Shenzhen JYSCONN Electronics Co., LTD.	