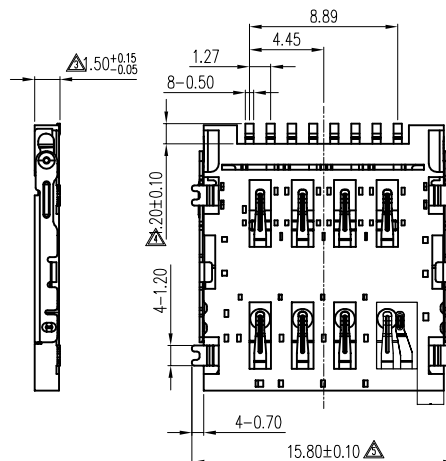
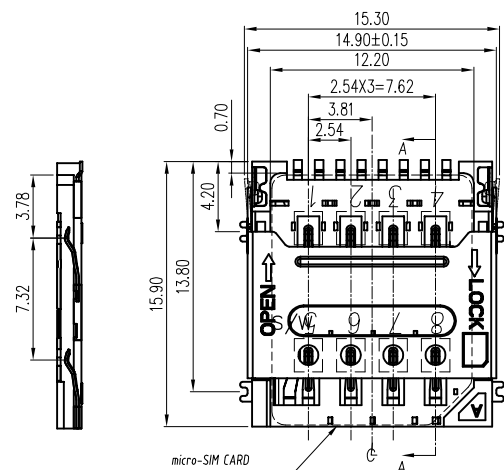


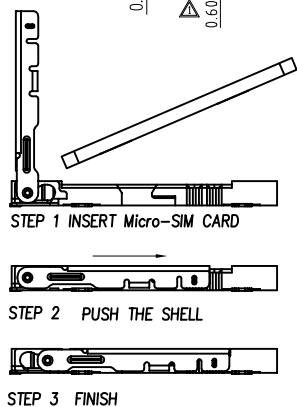
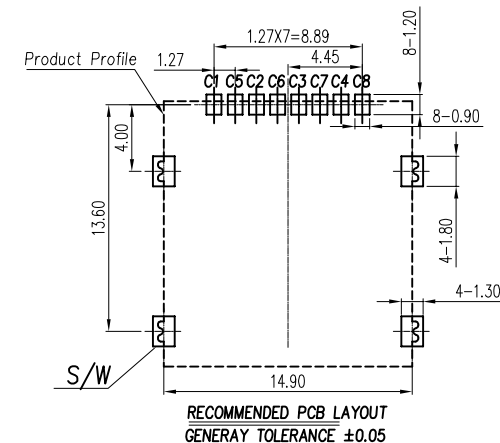
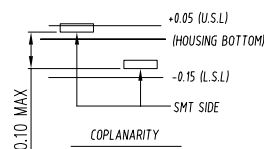
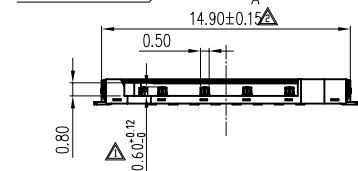
REV.	ECN.NO.	MODIFY.CONTENT	DATE
AO		NEW	2017/10/18



NOTES:

- ELECTRICAL CHARACTERISTICS
 - CONTACT RESISTANCE: 60 Milliohms Max
 - INSULATION RESISTANCE: 1,000 Megohms Min.
 - DIELECTRIC WITHSTANDING VOLTAGE: 500V AC FOR 1 MINUTE.
- MECHANICAL CHARACTERISTICS
 - OPERATION TEMPERATURE RANGE: -25°C~+70°C
 - DURABILITY: 5000 CYCLES
- MATERIAL:
 - HOUSING: THERMOPLASTIC,UL 94-V0
 - TERMINAL: PHOSPHOR BRONZE,T=0.15
 - SHELL: STAINLESS STEEL,T=0.15
- FINISHED:
 - TERMINAL: Ni PLATED UNDER,Au PLATED ON CONTACT AREA,G/F PLATED ON SOLDER TAIL

SECTION: A-A



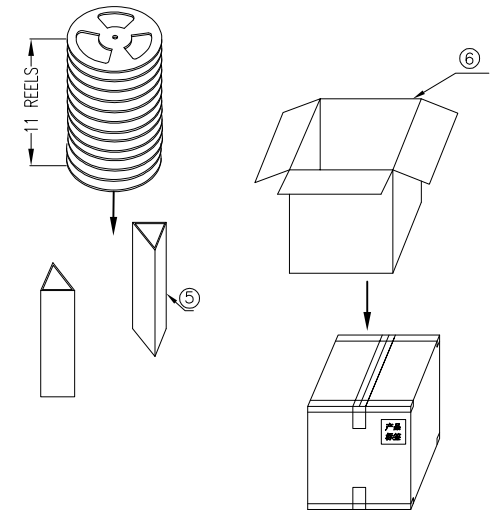
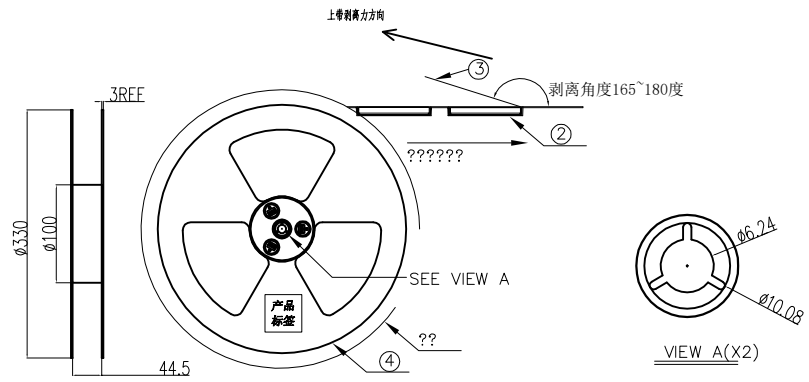
SIM CARD	
Pin No.	NAME
C1	VCC
C2	RST
C3	CLK
C4	RESERVED
C5	GND
C6	VPP
C7	I/O
C8	RESERVED
S/W	Switch Pin

WIHDRAWAL CARD	INSERT CARD
GROUND PIN (C5) <input type="checkbox"/> Switch Pin (S/W)	GROUND PIN (C5) <input type="checkbox"/> Switch Pin (S/W)

NORMALLY OPEN IN THE CONNECTOR
WHEN THE CARD INSERT,THE SWITCH IS CLOSE

GENERAL TOLERANCE		DWG NO.	JYSA20171018	APPD:	WIND	Scale	1:1
X±0.45	x'±5°	Title	MICRO SIM CARD 8PIN 1.5H (掀盖式 9PIN)	CHKD:		UNIT	mm
.X±0.35	.x'±2°			DR:			
.XX±0.25	.xx'±1°	Part NO.	JYS-SIM150-186	Date	2017/10/18		
.XXX±0.15	.xxx'±0.5°						
SHEET	1/2						

REV.	ECN.NO.	MODIFY.CONTENT	DATE
AO		NEW	2017/10/18



- PACKING NOTES:
1. PRIMARY PACKING: 1300PCS/REEL;
 2. SECONDARY PACKING: 10 REELS/CARTON (13KPCS/CARTON)
 3. PEELING RESISTANCE: 30gf~100gf
 4. PEELING ANGLE: 165°~180°
 5. PEELING SPEED: 300mm/minutes.

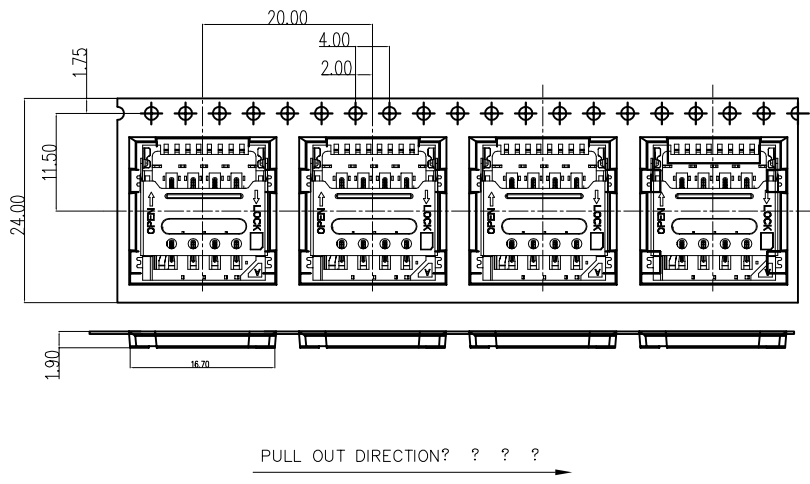


TABLE:

NO.	NAME	SPEC.	REMARK
①	成品	MICRO SIM CARD 1.5H	1300PCS/R
②	下带(载带)	PETW=24mm,P=20mm,T=0.3mm,	26.6M/1300PCS
③	上带(盖带)	W=21.5mm,T=0.06mm,	26.8M/1300PCS
④	REEL(蓝色卷盘)	330mm,100mm,44.5mm	1PCS/1300PCS
⑤	折叠板	296*464*6mm	4PCS/14300PCS
⑥	CARTON (外箱)	350*350*350mm	1PCS/14300PCS

GENERAL TOLERANCE		DWG NO.	JYSA20171018		APPD:	WND	Scale	1:1
X.±0.45	x.±5°	Title	MICRO SIM CARD 8PIN 1.5H		CHKD:		UNIT	mm
.X±0.35	.x'±2°		(掀盖式9PIN) 包装图		DR:			
.XX±0.25	.xx'±1°	Part NO.	JYS-SIM150-186		Date	2017/10/18		
.XXX±0.15	.xxx'±0.5°							
SHEET	2/2				 JYSCONN Electronics Co., LTD.			