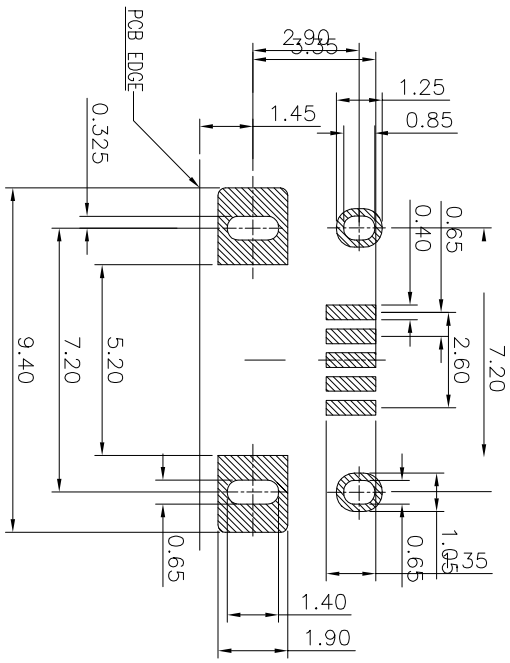
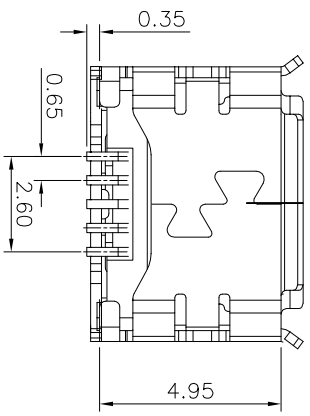
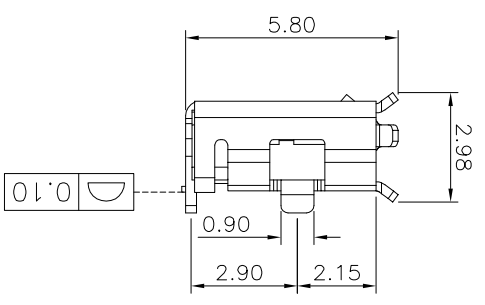
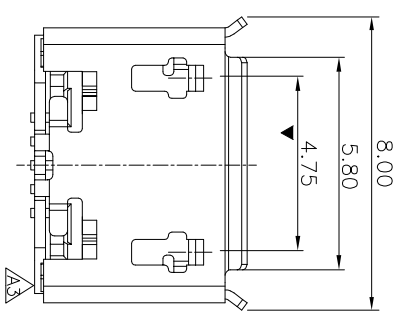
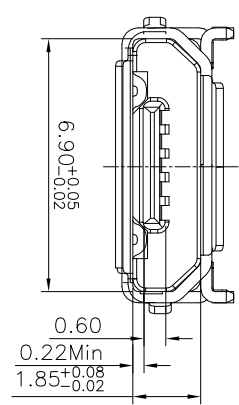
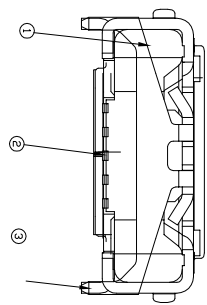
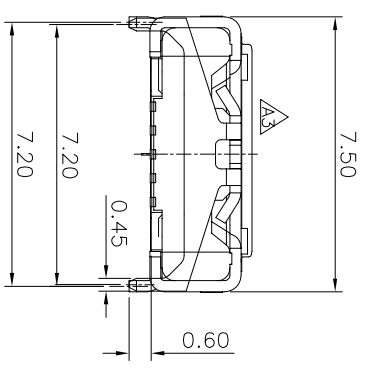


REV.	EGN. NO.	MODIFY CONTENT	DATE
A		NEW	2013/3/29



RECOMMENDED PGB LAYOUT(TOP VIEW)
GENERAL TOLERANCES:±0.05



NO.	DESCRIPTION	MATERIAL	REMARKS	QTY
3	CONTACT	COPPER ALLOY T=0.15mm	Au/Ni Plated	1PCS
2	HOUSING	High temperature plastic	BLACK	1SET
1	SHELL	STAINLESS STEEL T=0.30mm	MATTE TIN/Ni Plated	1PCS

GENERAL TOLERANCE		DWG NO.	JYSA0508-001	APPD:	WIND	Scale	1:1
X.±0.45	X.±1 ⁵	Title	MICRO USB B TYPE 牛角型 卷边 (01P7, 2mm)	CHKD:		UNIT	mm
X.±0.35	X.±2 ²	Part NO.	JYS-USB720-069	DR:			
.XX±0.25	.xx±1 ¹	Date	2013/03/29				
.XXX±0.15	.xxx±0.5 ⁵						

JYS 杰宇森电子有限公司
JIE YU SEN ELECTRONIC CO., LTD.