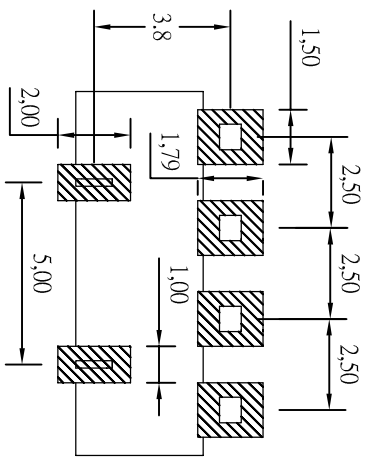


PART NO.	DIM A	DIM B	DIM C
JYS-BY540-131	5.4	3.8	4.4
JYS-BY600-132	6.0	4.6	5.2
JYS-BY700-133	7.0	5.6	6.2



RECOMMENDED PCB LAYOUT
TOP VIEW (XX±0.05)

MATERIALS

1. HOUSING : THERMOPLASTIC.
2. TERMINAL : COPPER ALLOY,
PLATING : PLATING SEE TABLE

SPECIFICATION

1. CURRENT RATING : 2.0 A. MAX.
2. VOLTAGE RATING : 12V AC.
3. DIELECTRIC WITHSTANDING VOLTAGE :
500V AC R.M.S. FOR 1 MINUTE.
4. INSULATION RESISTANCE : 500MΩ MAX.
5. CONTACT RESISTANCE : 50mΩ MIN.
6. OPERATING TEMPERATURE : -30°C TO +85°C.

DESCRIPTION OF PLATING ON TERMINALS			
NO.	EXPLAIN	NO.	EXPLAIN
0	GOLD FLASH	3	GOLD 15u"
1	GOLD 5u"	4	GOLD 20u"
2	GOLD 10u"	H	G/F + TN'

GENERAL TOLERANCE		DWG NO.	APPD:	WIND	Scale
X±0.45	X:±5'	JYSA1105-04	CHKD:		1:1
X±0.35	X:±2'	Title	DR:		mm
XX±0.25	.XX'±1'	Part NO.	Date		
.XXX±0.15	.xxx'±0.5'		2012/02/29		
SHEET	1/1				

杰宇森电子有限公司
JIE YU SEN ELECTRONIC CO., LTD.

REV.	EGN.NO.	MODIFY CONTENT	DATE
A		NEW	2012/02/29