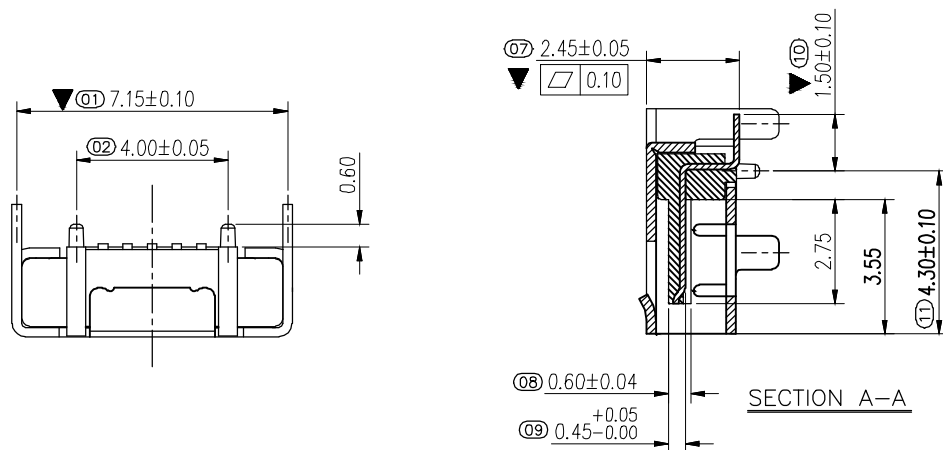


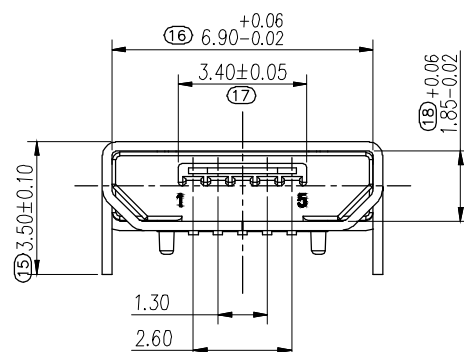
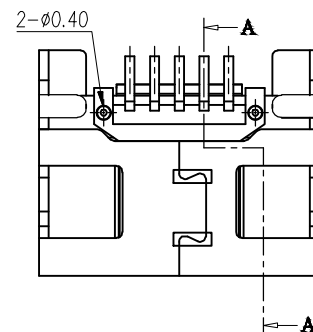
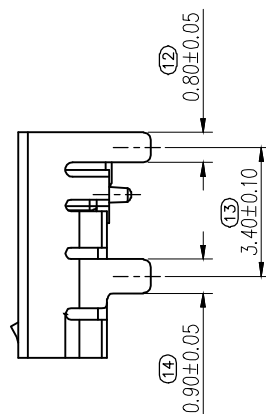
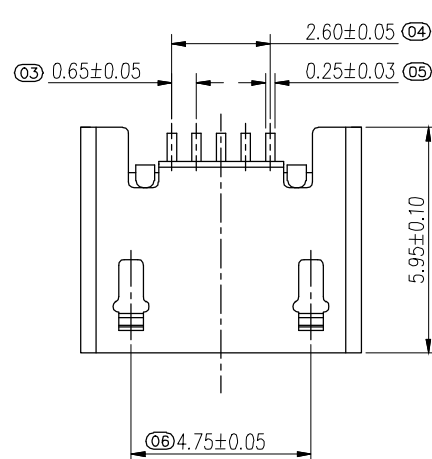
REV.	ECN. NO.	MODIFY. CONTENT	DATE
A		NEW	2012/04/13



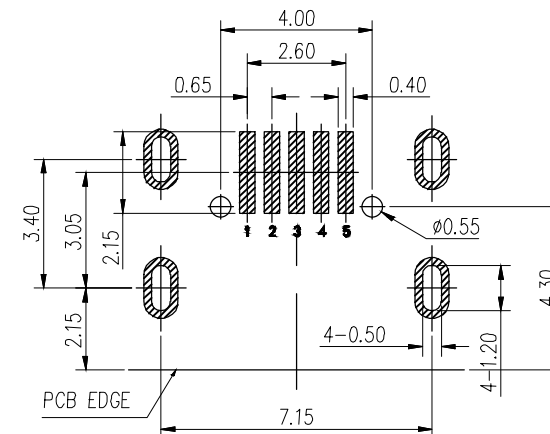
08 0.60±0.04

09 0.45^{+0.05}_{-0.00}

SECTION A-A



Pin NO.	Signal Name	Typical Wiring Assignment
1	VBUS	Red
2	D-	White
3	D+	Green
4	ID	<Ra_Plug_ID
5	GND	Black
Shell	Shield	Drain Wire



RECOMMENDED P.C.B HOLE LAYOUT
COMPONENT SIDE VIEW(TOLERANCE: +/-0.05)

Specification:

1.Electrical Characteristics:

- Current rating: 1,5PIN 1.8A Max/2,3,4PIN 1A Max.
- Dielectric withstanding voltage: 100 V(ac) for 1 min.
- Insulation Resistance: 100 MΩ Minimum.
- Contact Resistance: 30 mΩ Maximum.

2.Environmental:

- Operating Temperature: -30°C~+80°C.

3.Mechanical Characteristics:

- Total mating force: 3.57 Kgf Max.
- Total unmating force: 1.0 Kgf Min.

4.Material:

- Insulator: HI-Temp Plastic UL 94V-0 Rated.
- Contact: Copper Alloy(t=0.15mm).
- Shell: Copper alloy(t=0.25mm).

5. (XX) Make is FAI test Dimension

- ▼ Make is major test Dimension

GENERAL TOLERANCE		DWG NO.	JYSA0413-04	APPD:	WIND	Scale	1:1
X. ±0.45	x. °±5°	Title	MICRO USB 5P B TYPE SMT 外壳 四脚全插 脚长1.1加长0.75 (有柱直边)	CHKD:		UNIT	mm
.X±0.35	.x°±2°			DR:			
.XX±0.25	.xx°±1°	Part NO.	JYS-USB715-038	Date	2012/04/13		
.XXX±0.15	.xxx°±0.5°			JYSCONN Electronics Co., LTD.			
SHEET	1/1						