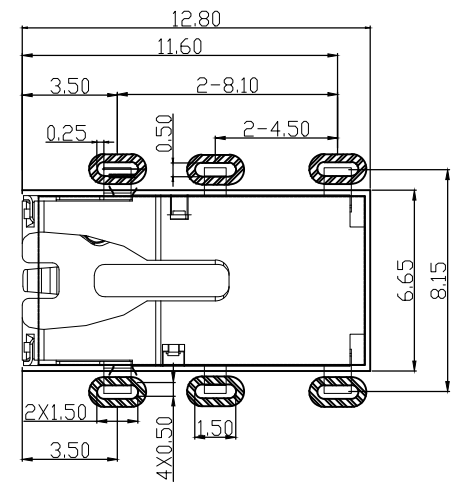
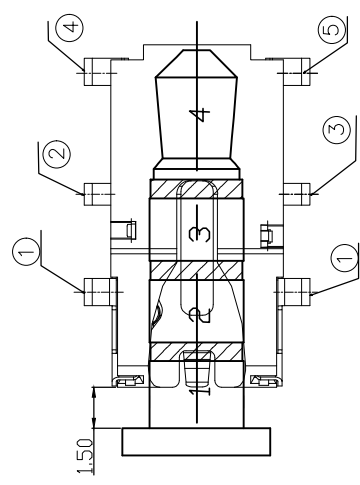
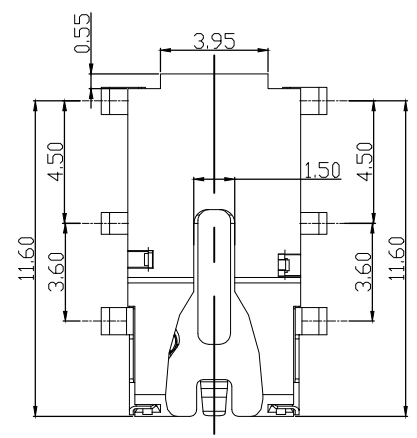
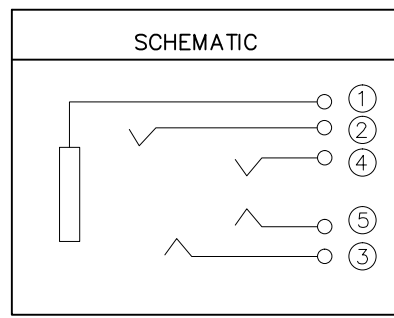
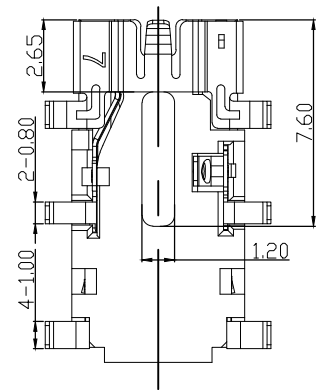
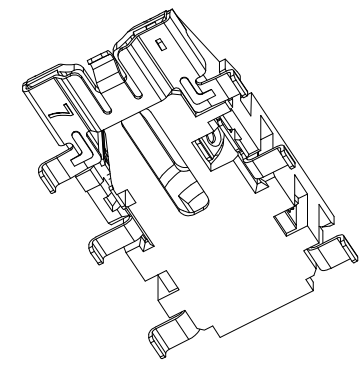
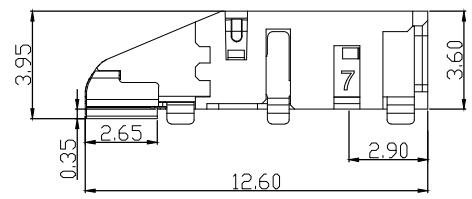
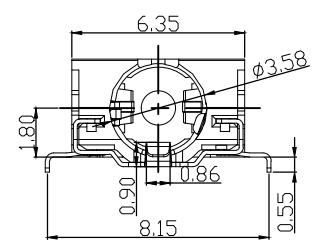


REV.	ECN.NO.	MODIFY.CONTENT	DATE
A		NEW	2019/10/31

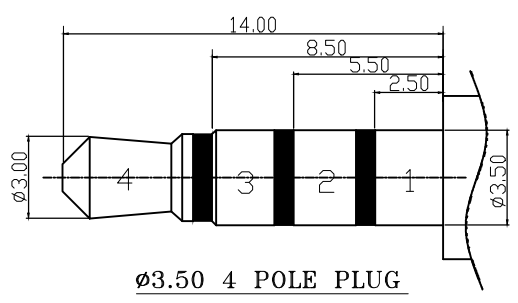


**RECOMMEND PCB LAYOUT**  
TOLERANCE  $\pm 0.05$



SCHEMATIC

- NOTES:**
- 1.MATERIAL:
    - 1.1 HOUSING: UL94V-0,COLOR: BLACK
    - 1.2 CONTACT: SUS ALLOY
  - 2.PLATING:
    - 2.1 CONTACTS PLATING: SEE ORDERING INFORMATION
  - 3.RATING
    - 3.1 OPERATING VOLTAGE: 30VAC/DC.
    - 3.2 CURRENT RATING: 0.5A AC/DC.
    - 3.3 OPERATING TEMPERATURE:  $-25^{\circ}\text{C}\sim+85^{\circ}\text{C}$



GENERAL TOLERANCE		DWG NO.	JYSA0528-001	APPD:	WIND	Scale	1:1
X. $\pm 0.45$	x.' $\pm 5$ '	Title	$\phi 3.5$ 6PIN 斜口 3.6H DIP PHONE JACK	CHKD:		UNIT	mm
.X $\pm 0.35$	.x' $\pm 2$ '			DR:			
.XX $\pm 0.25$	.xx' $\pm 1$ '	Part NO.	JYS-JK360-057	Date	2019/10/31		
.XXX $\pm 0.15$	.xxx' $\pm 0.5$ '						
SHEET	1/1			Shenzhen <b>JYSCONN Electronics Co., LTD.</b>			