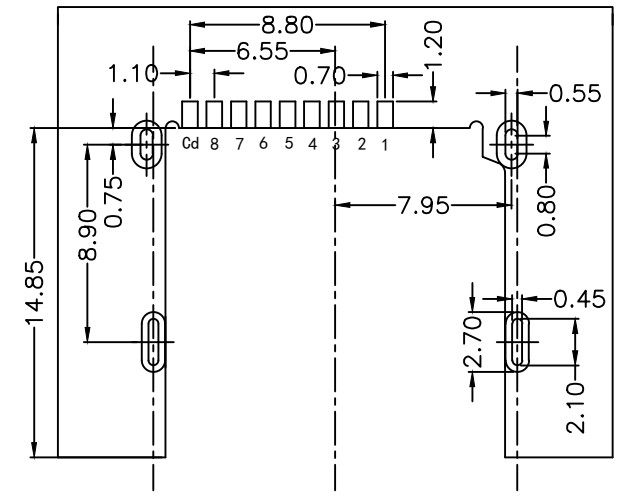
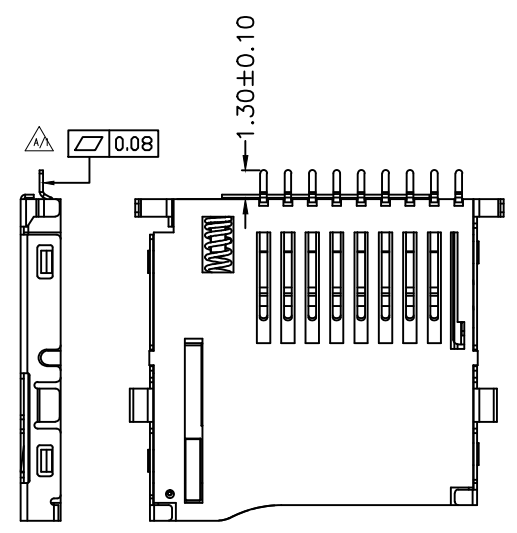
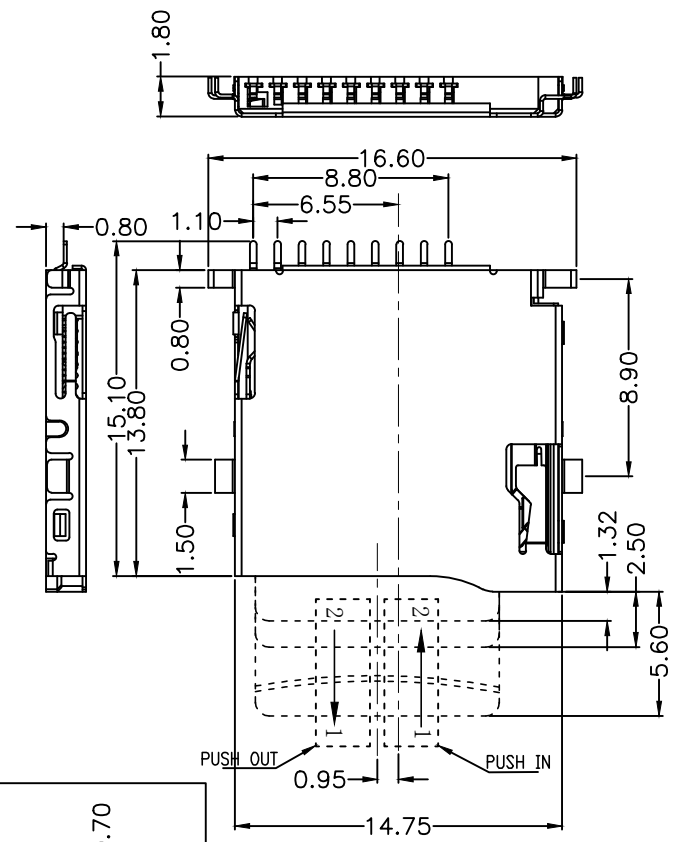
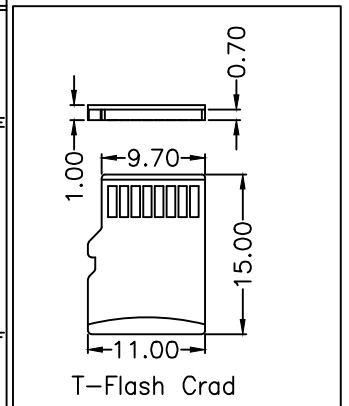


REV.	ECN.NO.	MODIFY.CONTENT	DATE
A		NEW	2012/08/03



RECOMMENDED P.C.B HOLE LAYOUT  
COMPONENT SIDE VIEW(TOLERANCE: +/-0.05)

- NOTES:
- MATERIAL:  
HOUSING: HIGH TEMPERATURE THERMOPLASTIC UL94V\_0,COLOR:BLACK.  
CONTACT: COPPER ALLOYS.  
COVER: COPPER ALLOYS OR STEEL.
  - PLATING:  
UNDERPLATE: NICKEL.  
CONTACT AREA: GOLD OVER NICKEL.  
SOLDER AREA: TIN OVER NICKEL.
  - MULTIMEDIA CARD COMPATIBLE



PIN NO.	NAME	YTYPE	DESCRIPTION
1	DAT2	I/O/PP	DATE LINE(BIT2)
2	CD/DAT3	I/O/PP	CARD DETECT DATE LIN(BIT3)
3	CMD	PP	COMMAND RESPONSE
4	VDD	S	SUPPLY VOLTAGE
5	CLX	I	CLOCK
6	VSS	S	SUPPLY VOLTAGE GROUND
7	DAT0	I/O/PP	DATE LINE(BIT0)
8	DAT1	I/O/PP	DATE LINE(DIT1)

GENERAL TOLERANCE		DWG NO.	JYSA1229-001	APPD:	WIND	Scale	1:1
X.±0.45	x.'±5'	Title	1.8H PUSH T-FLASH CRAD CONN 沉板 0.8mm 四脚插板	CHKD:		UNIT	mm
.X±0.35	.x'±2'			DR:			
.XX±0.25	.xx'±1'			Part NO.	JYS-TF180-037		Date
.XXX±0.15	.xxx'±0.5'					<b>JYCONN Electronics Co., LTD.</b>	
SHEET	1/1						