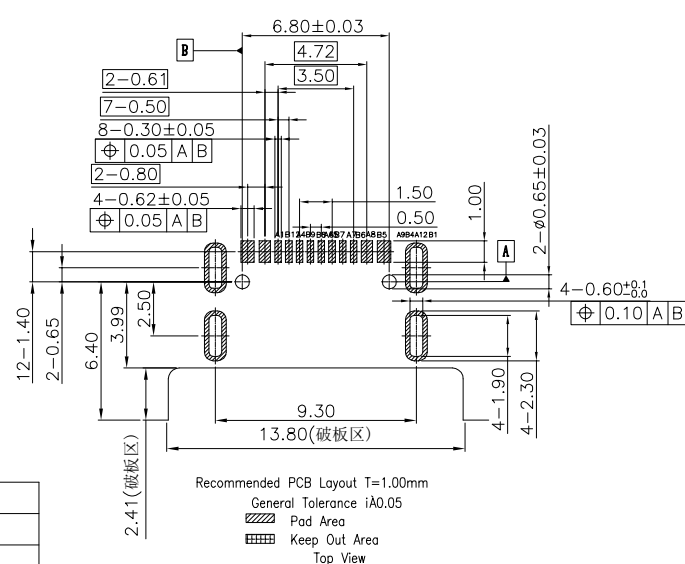
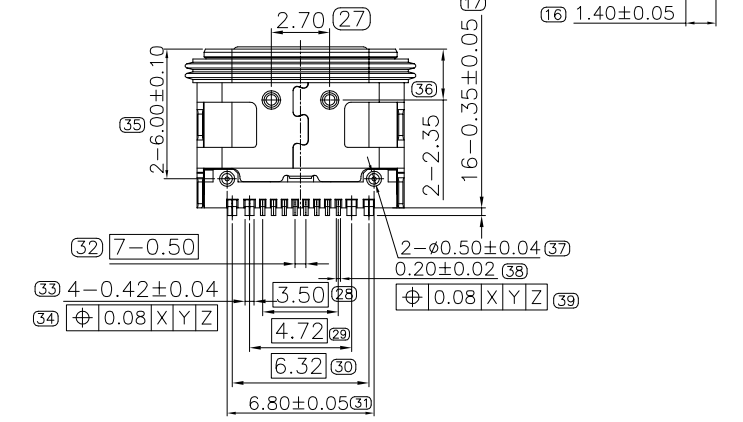


Note:

- Material:
 - 1.Housing: Thermoplastic,UL94-V0; Colour: Black.
 - 2.Terminal: Copper alloy,Contact:See table A.
 - 3.Shell & Solder :SUS, Plating:Ni.
- Electrical Characteristics:
 - 2-1.Rating:GND:5A,VBUS Total: 5A;
 - 2-2.Contact resistance:40mΩMax.;After test add 10 mΩMax.
 - 2-3.Electric Strength test:500VAC,0.1S,0.5mA;
 - 2-4.Insulation test:500VDC,0.1S,100MΩ;
- Mechanical properties:
 - 3-1.Mating force:5~20N;
 - 3-2.Unmating force:8~20N(Initial),6~20N(After Durability);
 - 3-3.Testing Speed:200±50 Times/H,Test:10000 times;
- Environmental Characteristics: Oper.Temp.: -55°C~ +85°C;
- Waterproof Rate: IPX4
- Restriction of Hazardous Substances: Components be RoHS and HF compliant.



PIN DEFINE:

Pin	Signal Name	Description	Mating Sequence	Pin	Signal Name	Description	Mating Sequence
A1	GND	Ground return	First	A12	GND	Ground return	First
A4	Vbus	Bus Power	First	B9	Vbus	Bus Power	First
A5	CA1	Configuration Channel	Second	B8	SBU2	Sideband Use(SBU)	Second
A6	Dp1	Positive half of the USB 2.0 differential pair-Position 1	Second	B7	Dn2	Negative half of the USB 2.0 differential pair-Position 2	Second
A7	Dn1	Negative half of the USB 2.0 differential pair-Position 1	Second	B6	Dp2	Positive half of the USB 2.0 differential pair-Position 2	Second
A8	SBU1	Sideband Use(SBU)	Second	B5	CC2	Configuration Channel	Second
A9	Vbus	Bus Power	First	B4	Vbus	Bus Power	First
A12	GND	Ground return	First	A1	GND	Ground return	First

ITEM	PART NAME	MATERIAL	REMARK
10	GLUE	MT785	WHITE
9	Silicone rubber	RBB	RED
8	Silicone rubber	RBB	BLACK
7	Outer-shell	SUS304	Underplated:Ni 30u"Min.
6	Inner-shell	SUS304	Underplated:Ni 30u"Min.
5	2M	PA Black	UL94V-0
4	1M	PA Black	UL94V-0
3	Mid-plate	SUS301	Cleaned
2	Low contact	Copper Alloy	Underplated:Ni 50u"Min. Contact area:Au3u"Min. Solder tall:Au1Min.
1	Upper contact	Copper Alloy	Underplated:Ni 50u"Min. Contact area:Au3u"Min. Solder tall:Au1Min.

GENERAL TOLERANCE		DWG NO.	JYSA20190617	APPD:	WIND	Scale	1:1
X.±0.45	x.*±5°	Title	USB TYPE C 16PIN 4DIP TYPE CONN. L=7.35mm IPX4	CHKD:		UNIT	mm
.X±0.35	.x.*±2°			DR:			
.XX±0.25	.xx.*±1°	Part NO.	JYS-USB735-106	Date	2021/06/17		
.XXX±0.15	.xxx.*±0.5°						

JYSCONN Shenzhen
JYSCONN Electronics Co., LTD.