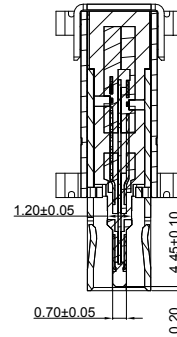
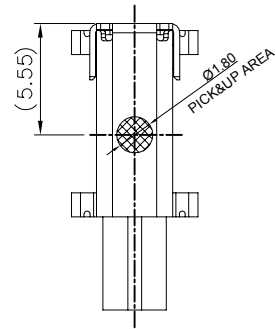
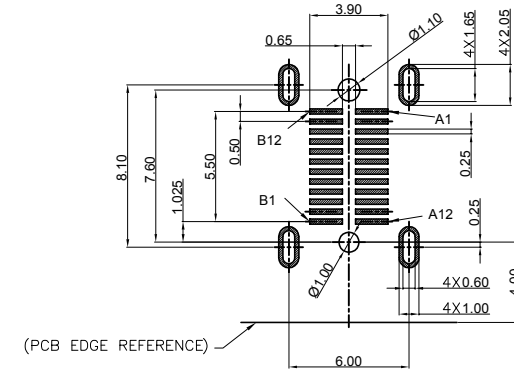
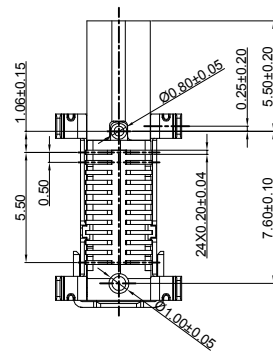
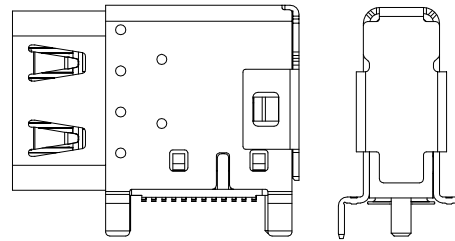
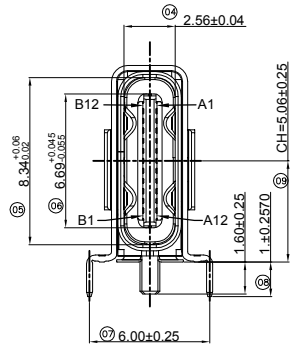
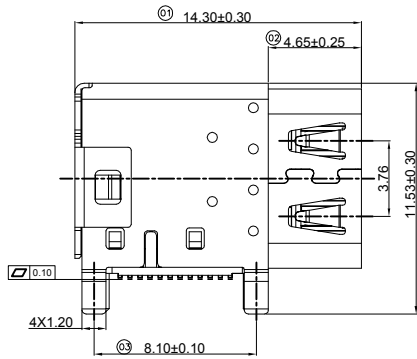


REV.	ECN.NO.	MODIFY.CONTENT	DATE
A		NEW	2020/03/17



SPECIFICATION

1. CURRENT RATING : 5.0A FOR Vbus PIN,
1.25A FOR Vconn PIN,
0.25A FOR OTHER PINS.
2. CONTACT RESISTANCE : 40mΩ.
3. INSULATION RESISTANCE : 1000MΩ MIN.
4. DIELECTRIC WITHSTANDING VOLTAGE : 500 VAC MIN.
5. OPERATING TEMPERATURE : -40°C TO +85°C.
6. MATING FORCE : 5~20N.
7. UNMATING FORCE : 8~20N.
8. DURABILITY : 10,000 CYCLES.
9. RECOMMENDED PROCESS :
THE PEAK TEMPERATURE ON THE BOARD SHALL
MAINTAIN 260°C.



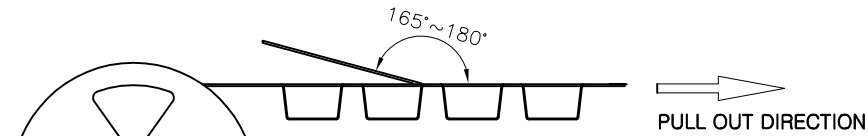
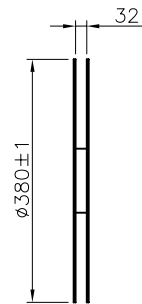
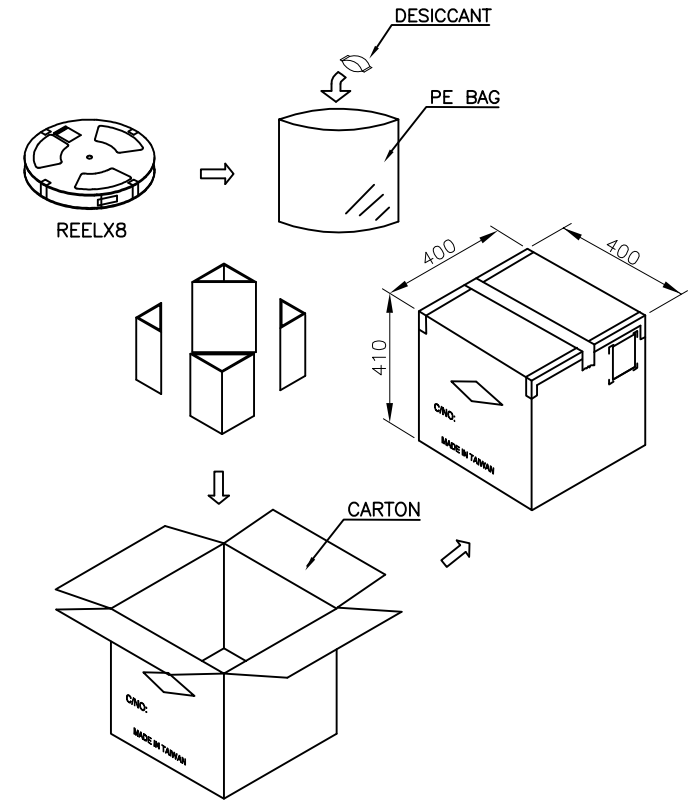
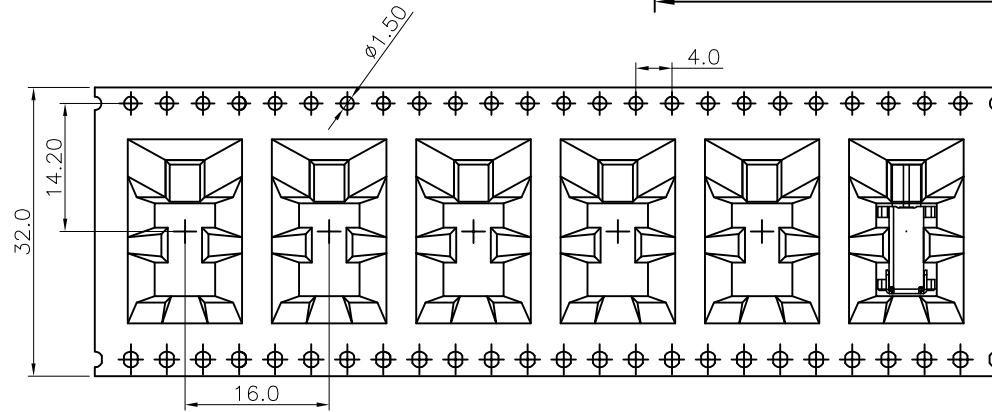
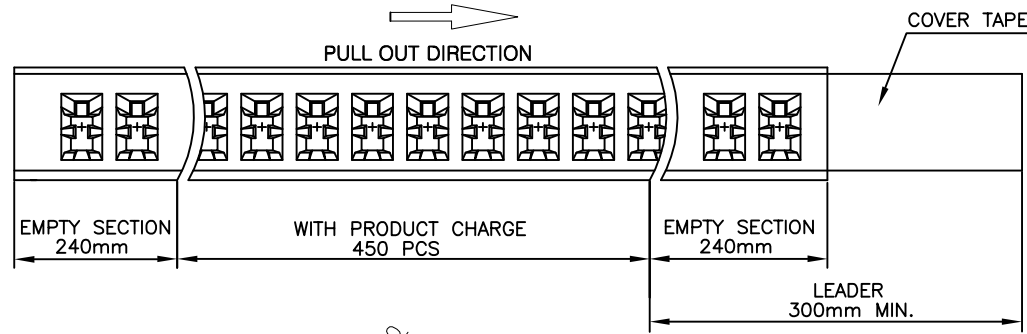
RECOMMENDED P.C.B LAYOUT
TOLERANCE ± 0.05mm (TOP VIEW)

PIN ASSIGNMENT

A1	A2	A3	A4	A5	A6	A7	A8	A9	A10	A11	A12
GND	TX1+	TX1-	Vbus	CC1	D+	D-	SBU1	Vbus	RX2-	RX2+	GND
GND	RX1+	RX1-	Vbus	SBU2	D-	D+	CC2	Vbus	TX2-	TX2+	GND
B12	B11	B10	B9	B8	B7	B6	B5	B4	B3	B2	B1

GENERAL TOLERANCE		DWG NO.	APPD:	WIND	Scale	1:1
X.±0.45	x.*±5°	Title	USB Type C 3.1侧插母座24P 双壳 SMT	CHKD:	UNIT	mm
X±0.35	.x*±2°			DR:		
.XX±0.25	.xx*±1°	Part NO.	Date	2020/03/17		
.XXX±0.15	.xxx*±0.5°					
SHEET	1/2			Shenzhen JYSCONN Electronics Co., LTD.		

REV.	ECN.NO.	MODIFY.CONTENT	DATE
A		NEW	2020/03/17



PACKAGE

1. SIZE :
 REEL : $\phi 380 \times 32$ mm
 CARTON : $400 \times 400 \times 410$ mm (LxWxH)
2. QUANTITY :
 450 PCS / REEL
 8 REEL / CARTON = 3,600 PCS

GENERAL TOLERANCE		DWG NO.		APPD:	WIND	Scale	1:1
X ± 0.45	x. $\pm 5^{\circ}$	Title	USB Type C 3.1侧插母座24P 双壳 SMT 包装图	CHKD:		UNIT	mm
.X ± 0.35	.x $\pm 2^{\circ}$			DR:			
.XX ± 0.25	.xx $\pm 1^{\circ}$	Part NO.	JYS-UTC143-121	Date	2020/03/17		
.XXX ± 0.15	.xxx $\pm 0.5^{\circ}$						
SHEET	2/2			Shenzhen JYSCONN Electronics Co., LTD.			